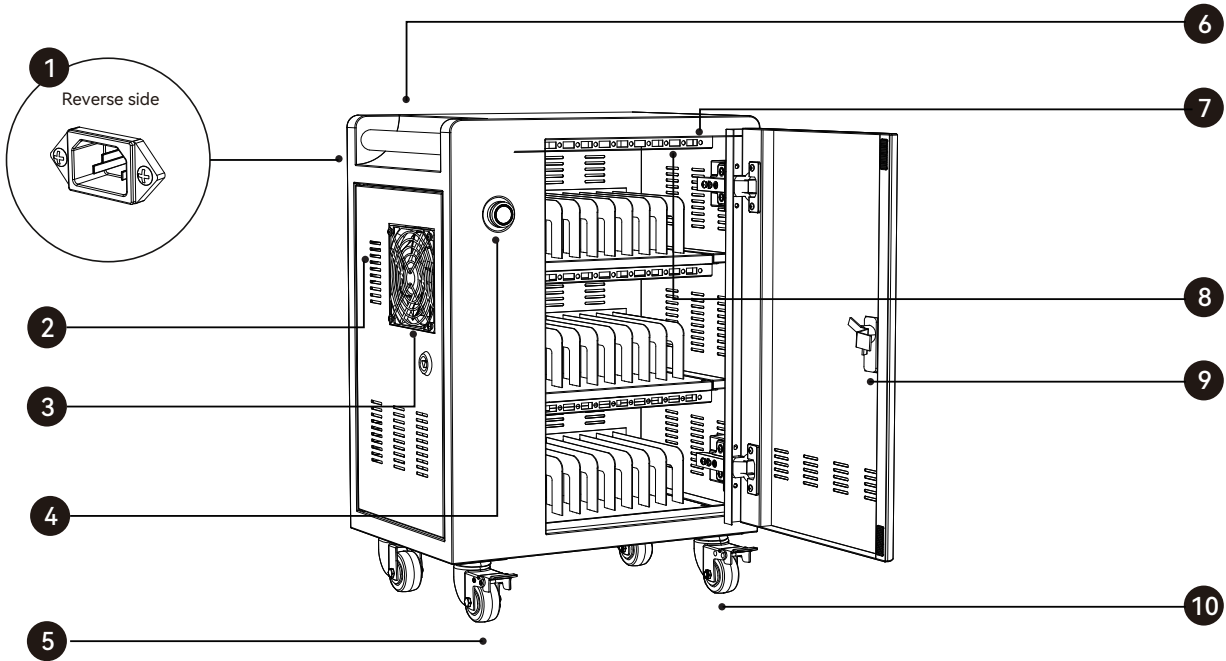


Overview

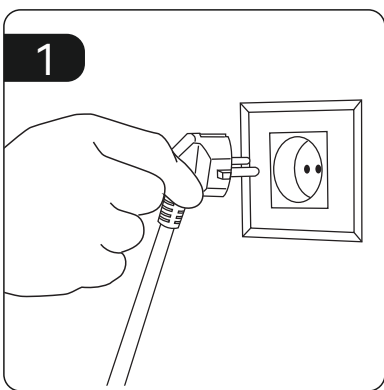


- 1. Power Interface
- 2. Leakage Protective Switch
- 3. Cooling fan
- 4. Power Switch
- 5. Stand wheel

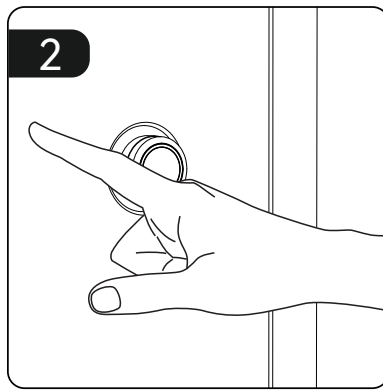
- 6. Handles(optional)
- 7. LED Indicator
- 8. USB Charging Interface
- 9. Cabinet Locker
- 10. Stand Wheel with lock

- Package Contents
- AC Power Cord x1
 - Charging cables match the capacity of the cart
 - Instruction Booklet x1

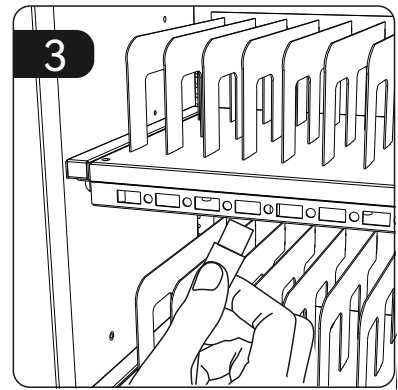
Using the Charging Cart



1 Plug in the power cord of the charging cabinet ;



2 Turn on the power



3 Connect the devices to the charging ports with the USB charging cables.

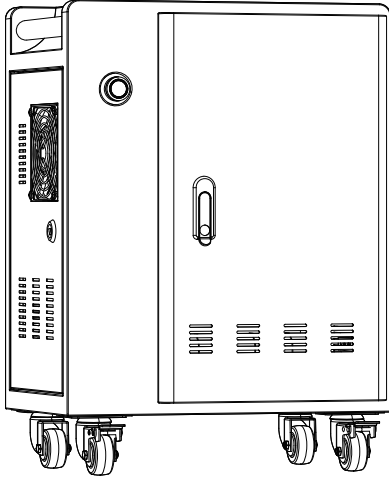
Charging indicator:

● Charging

● Charging completed/waiting to be charged

Matters needing attention

Product Specs



Model	QP-R30DA	QP-R50DA
Capacity	30	50
Input Voltage	220V~50/60Hz	220V~50/60Hz
Outage Voltage	5V/2.4A*30USB	5V/2.4A*50USB
Pated Power	400W	700W
Product Size	556*400*920mm	650*400*1195mm
Package Size	630*470*990mm	720*470*1260mm
Net Weight	44kg	59kg
Gross Weight	52kg	70kg

Safety and maintenance precautions

For long term storage , remember to unplug the power cord and cover the cabinet with a dust cover.

Tips :

Before start using this product, please read the instructions carefully Please strictly follow the instructions for installation, application and maintenance. We will not be responsible for any damage caused by the wrong operation. Only authorized staff can use the cabinet, and only professional maintainer can maintain the cabinet.



- Must ground lead

The power socket must be grounded to avoid electric leakage. The cabinet must be located in a suitable storage place.



- Avoid high temperature

In order to prolong the life cycle, avoid rain and direct sunlight. Do not store the cabinet next to the window.



- Avoid slope

The wheels must be locked to prevent any movement. Before moving, release the lock on the wheel.



- Avoid moisture

When cleaning, do not pour water or alcohol directly on the cabinet, liquids will damage the internal circuit.