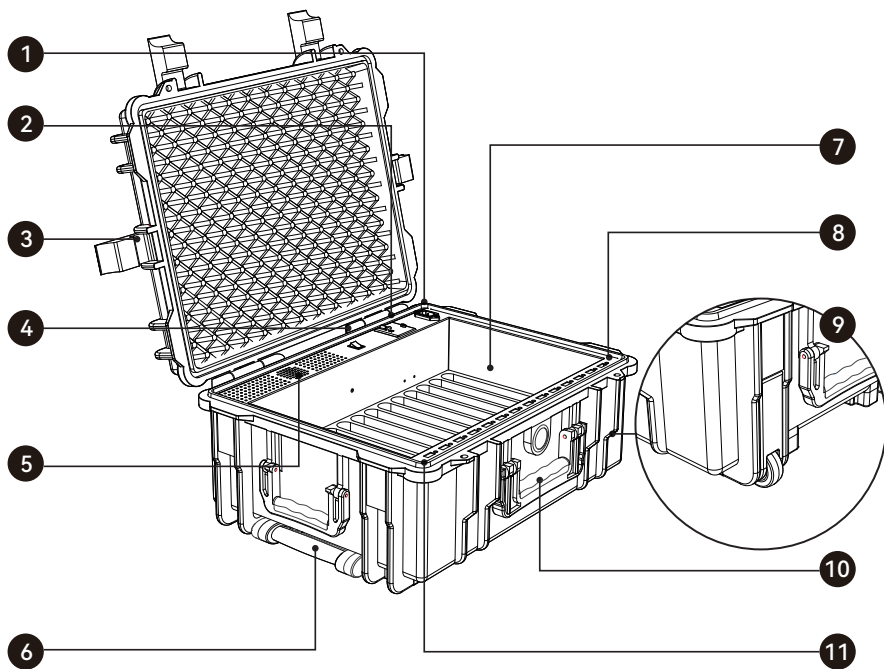


## Overvie

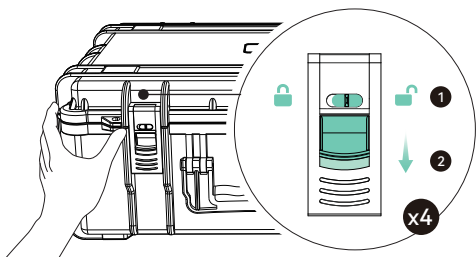


1. Power Interface
2. Leakage Protective Switch
3. Lock
4. Power Switch
5. Cooling fan
6. telescopic pull rod
7. EVA Cushion
8. LED Indicator
9. Stand Wheel
10. Handles(optional)
11. USB Charging Interface

### Package Contents

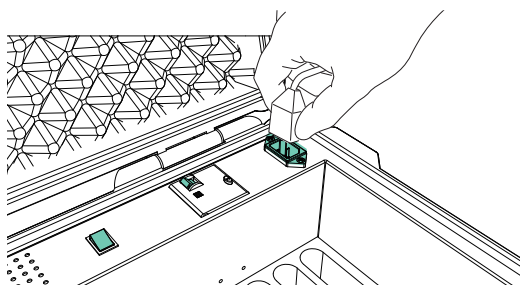
- AC Power Cord x1
- USB charging cables are matched the capacity of trolley
- Instruction Booklet x1

## Using the Charging Trolley



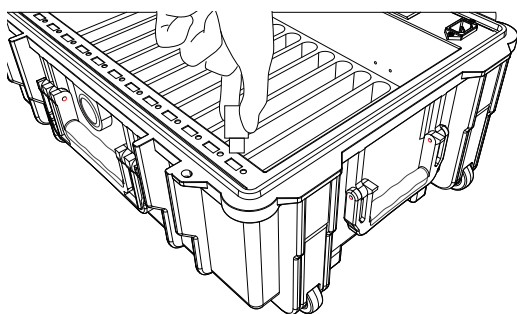
### Unlock:

- Push ① to the left to lock, right to unlock;
- when ① is unlock, push down ② and lift the 4 clasps;
- Then open the trolley.



### Power on:

- Connect the power cable and plug it into the power interface.
- Press square key and push the leakage switch up.
- Turn on the power switch.



### Charging:

- Plug the USB charging cable into the charging ports to connect to the iPad.
- Do not close the cover or make it vertically while charging.
- Note: Red light is charging, green light is charging completed or to be charged.

Charging indicator:



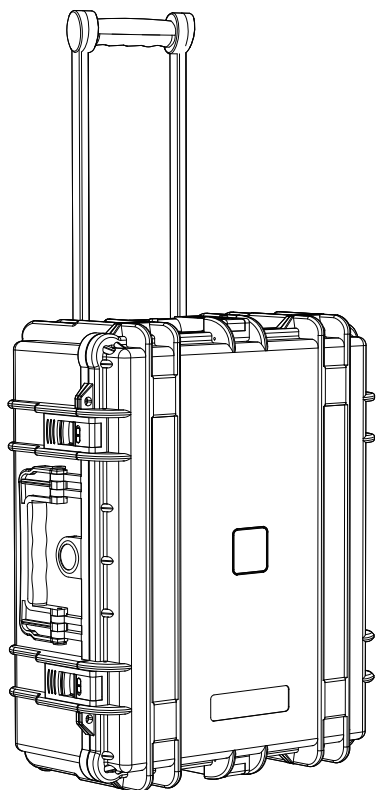
Charging



Charging completed/waiting to be charged

# Matters needing attention

## Major parameter



	Item	Parameter
1	Product name	Tablet Charge Trolley Case
2	Certification	CE
3	Model	QP-R14LG
4	Charging interface	14 bit
5	Product size	56*25*45CM
6	Packing size	61*31*50CM
7	Net weight	11KG
8	Gross weight	14KG
9	Input voltage	110V/50Hz
10	Output voltage	5V
11	Rated power	200W
12	Operating Temperature	-20~70°C
13	Operating Humidity	20~90%RH, No condensation

## Safety and maintenance precautions

For long term storage , remember to unplug the power cord and cover the cabinet with a dust cover.

### Tips :

Before start using this product, please read the instructions carefully Please strictly follow the instructions for installation, application and maintenance. We will not be responsible for any damage caused by the wrong operation. Only authorized staff can use the cabinet, and only professional maintainer can maintain the cabinet.



- Must ground lead  
The power socket must be grounded to avoid electric leakage. The cabinet must be located in a suitable storage place.



- Avoid slope  
The wheels must be locked to prevent any movement. Before moving, release the lock on the wheel.



- Avoid high temperature  
In order to prolong the life cycle, avoid rain and direct sunlight. Do not store the cabinet next to the window.



- Avoid moisture  
When cleaning, do not pour water or alcohol directly on the cabinet, liquids will damage the internal circuit.