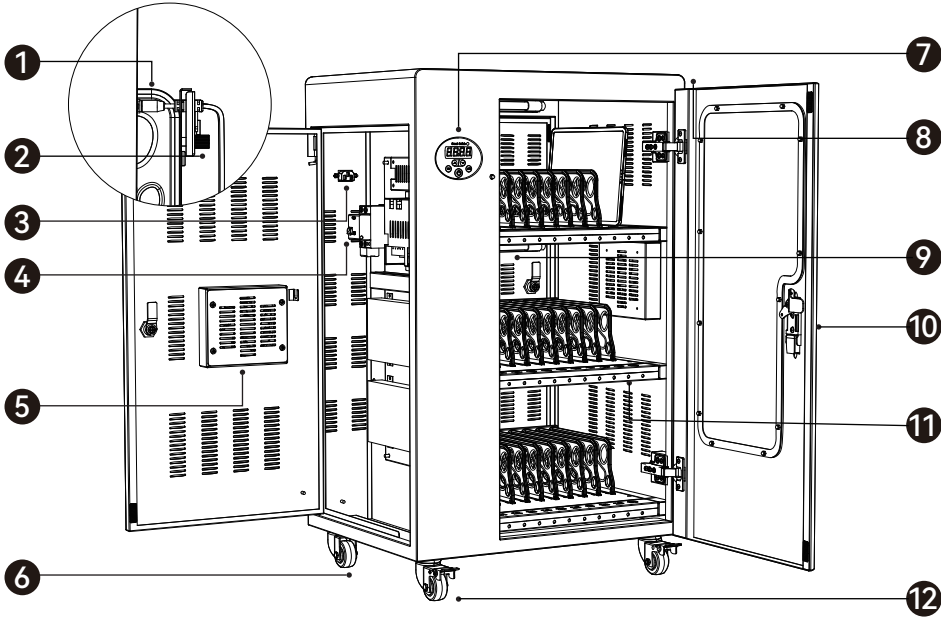


Overview

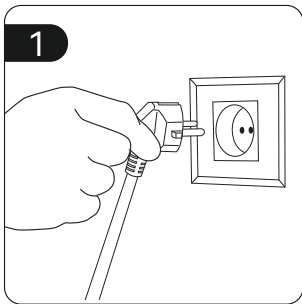


1. Magnetic interface
2. Interface adjustment knob
3. Power Interface
4. Leakage switch
5. Cooling fan
6. Stand Wheel
7. Smart Switch
8. Handles(optional)
9. UV disinfection lamp
10. Cabinet Locker
11. LED Indicator light
12. Stand Wheel with lock

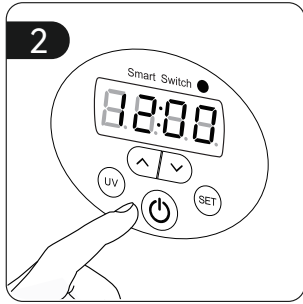
Package Contents

- AC Power Cord x1
- Instruction Booklet x1

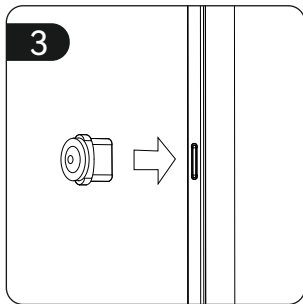
Using the Charging Cart



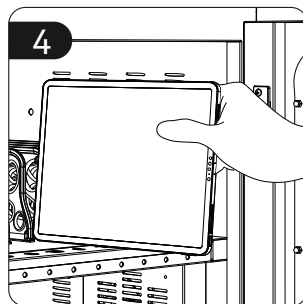
1 Plug in the power cord of the charging cabinet.



2 green power switch and UV disinfection switch (Please refer to page 2)



3 This connector is connected to a magnetic port



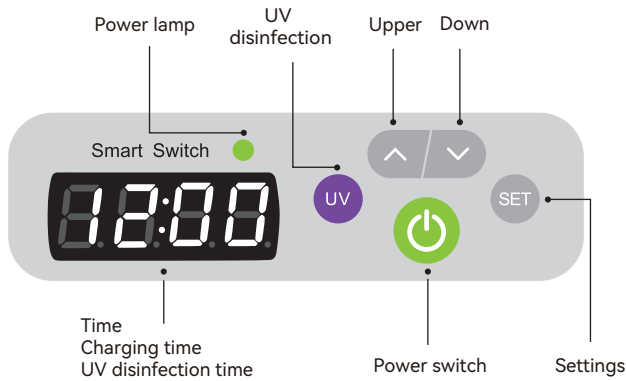
4 Push it into the charging cabinet, to connect to the magnetic charging

Charging indicator: ● Charging ● Charging completed/waiting to be charged

Product Specs

Model	QP-R10MS	QP-R20MS	QP-R30MS	QP-R40MS	QP-R52MS	QP-R60MS	QP-R65MS
Charging Numbers	10	20	30	40	52	60	65
Input Voltage	220V/50Hz	220V/50Hz	220V/50Hz	220V/50Hz	220V/50Hz	220V/50Hz	220V/50Hz
Outage Voltage	5V/2.4A	5V/2.4A	5V/2.4A	5V/2.4A	5V/2.4A	5V/2.4A	5V/2.4A
Pated Power	200W	300W	400W	600W	600W	800W	800W
Product Size	540*450*330mm	556*460*665mm	556*460*920mm	556*460*1195mm	556*460*1195mm	650*460*1450mm	650*460*1450mm
Package Size	610*530*410mm	630*470*740mm	630*470*990mm	630*470*1245mm	720*470*1245mm	720*470*1510mm	720*470*1510mm
Net Weight	15kg	31kg	44kg	52kg	60kg	73kg	74kg
Gross Weight	19kg	37kg	53kg	61kg	70kg	85kg	86kg

Smart Switch Control Panel



- **UV-C disinfection setting**

Please press the UV button and it will finish disinfection in 5 minutes. Opening the door, the disinfectant lights will be shut off.

- **Charging setting**

Please press power button, it will start to work.

- **Countdown charging**

Please press SET button, C means charging. The number means the charging time, press the Set key to make it take effect.

Example C05 means, 5 hours off charging ;
C08 means, 8 hours off charging ;

- **Child lock setting**

Long press the UP key for 4 seconds, you can hear the "beep" sound, and the child lock will take effect.

- **Local time setting**

Long press the setting key, when the number flashes, you can press the up/down key to adjust, after the setting, press the setting key to confirm.

- **Cooling fan**

When cabinet is over 45°C, cooling fan will be auto turned on.

Safety and maintenance precautions

For long term storage , remember to unplug the power cord and cover the cabinet with a dust cover.



Tips :

Before start using this product, please read the instructions carefully Please strictly follow the instructions for installation, application and maintenance. We will not be responsible for any damage caused by the wrong operation. Only authorized staff can use the cabinet, and only professional maintainer can maintain the cabinet.



- **Must ground lead**

The power socket must be grounded to avoid electric leakage. The cabinet must be located in a suitable storage place.



- **Avoid slope**

The wheels must be locked to prevent any movement. Before moving, release the lock on the wheel.



- **Avoid high temperature**

In order to prolong the life cycle, avoid rain and direct sunlight. Do not store the cabinet next to the window.

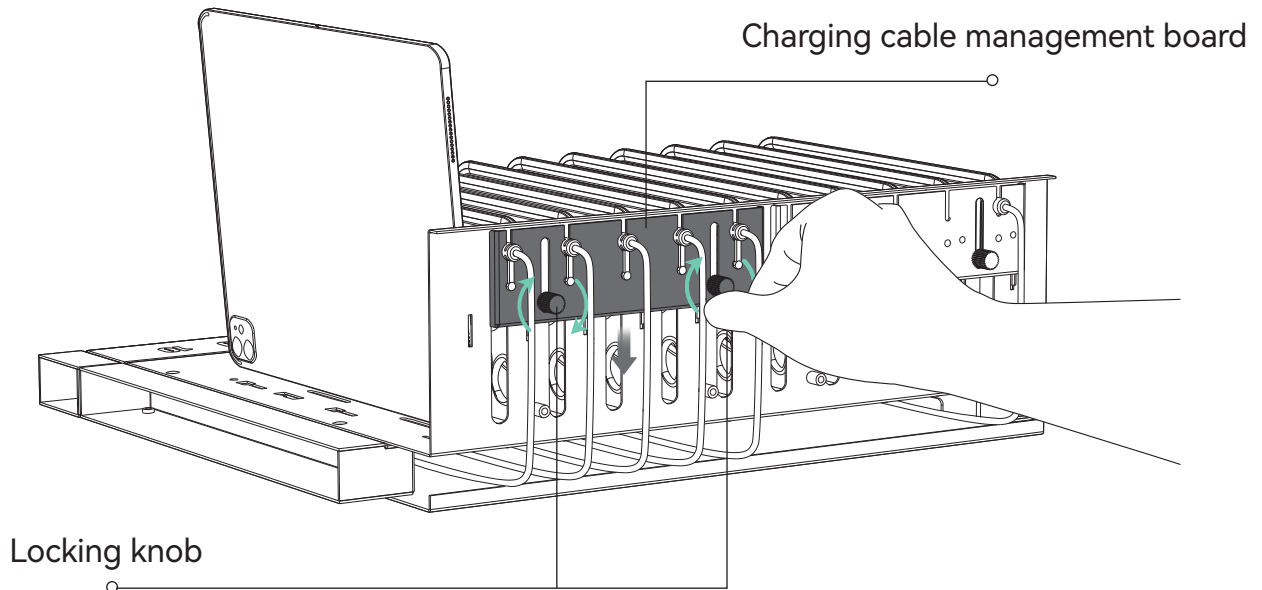


- **Avoid moisture**

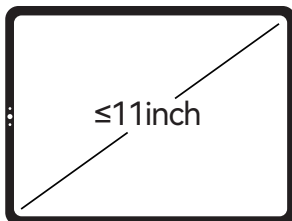
When cleaning, do not pour water or alcohol directly on the cabinet, liquids will damage the internal circuit.

Magnetic charging

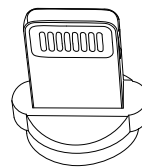
Overview



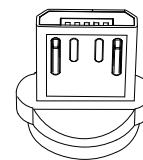
Open the rear door of the charging cabinet, find the buckle knob, loosen the knob to the right, adjust the height of the data cable management board up and down, adjust according to the device, turn the knob to the left to lock and close the rear door; Easy charging.



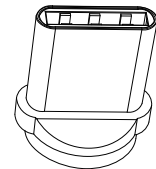
Charging device should be less than or equal to 11 inches.



Lightning

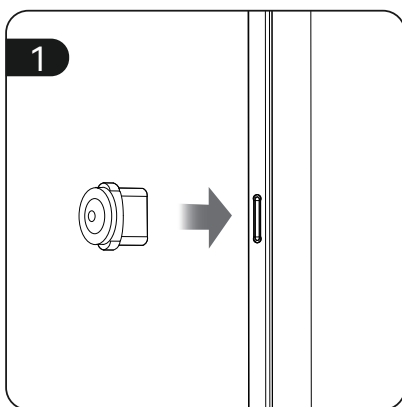


Micro USB

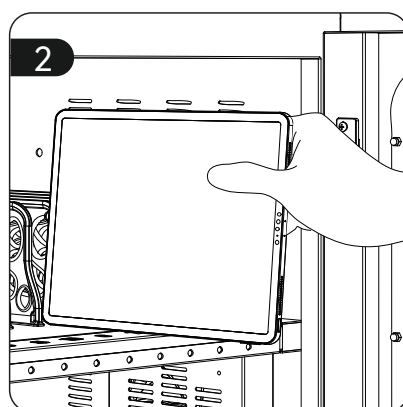


Type-C

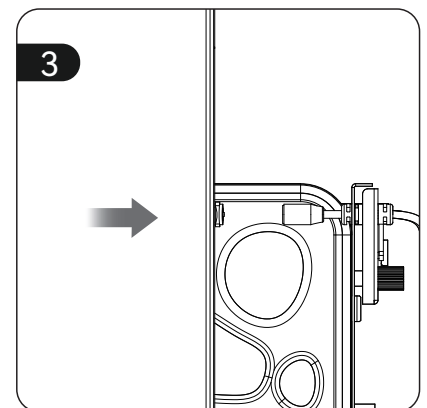
The three connectors are compatible with most devices on the market.



This connector is connected to a magnetic port.



Push it into the charging cabinet, to connect to the magnetic charging interface.



This connector on the tablets will be connected to the magnetic charging interface to charge.