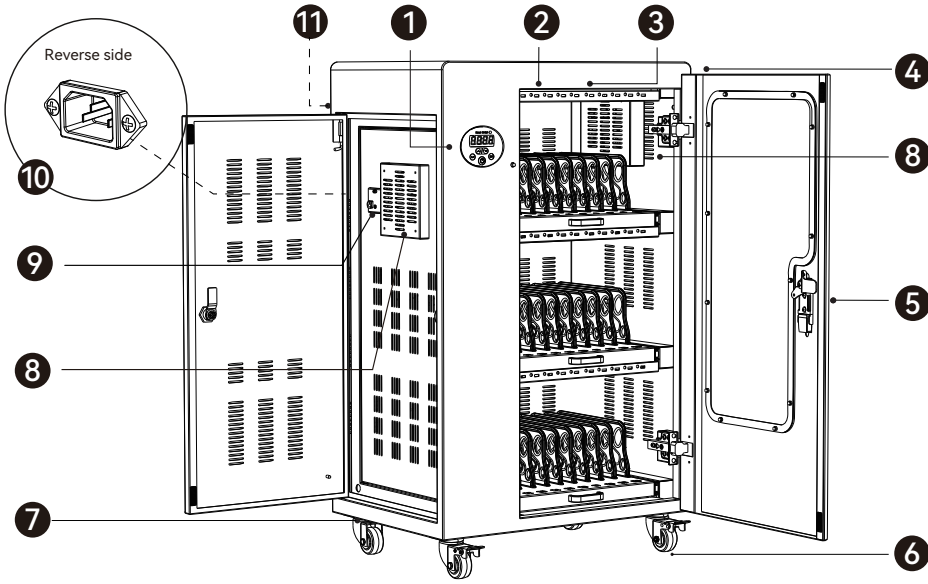


Overview

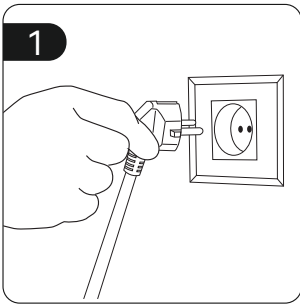


1. Switch
2. USB Charging Interface
3. LED Indicator
4. Handles(optional)
5. Cabinet Lock
6. Stand Wheel with lock
7. Stand Wheel
8. Cooling fan
9. Leakage Protective Switch
10. Power Interface
- 11.USB transfer interface

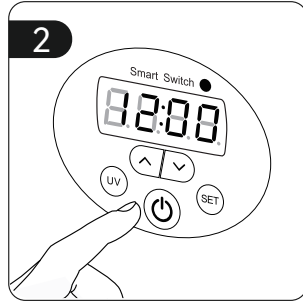
Package Contents

- AC Power Cord x1
- USB charging cables are matched the quantity of USB charging ports
- Instruction Booklet x1

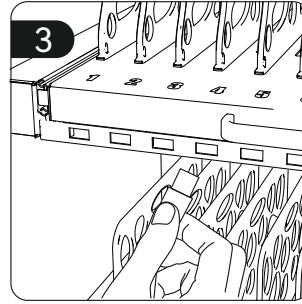
Using the Charging Cart



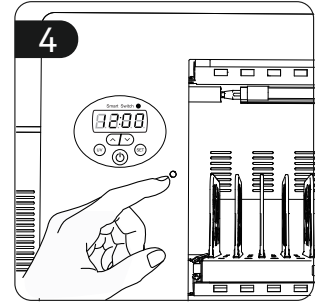
1 Plug power cord into the charging cabinet.



2 Green power switch and UV disinfection switch (Please refer to page 2)



3 Connect the device to cabinet via USB charging cable.



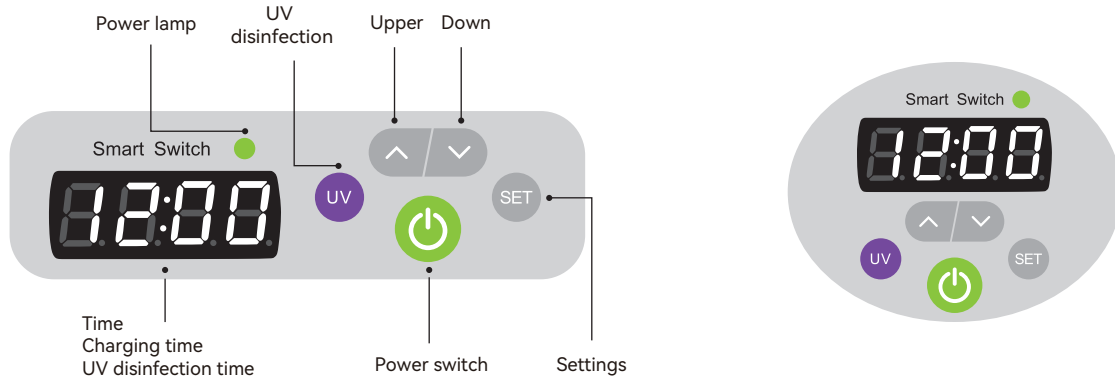
4 Opening the door. UV-C lights will cut be shut of.

Charging indicator: ● Charging ● Charging completed/waiting to be charged

Product Specs

Model	QP-R10SYNC	QP-R20SYNC	QP-R30SYNC	QP-R40SYNC	QP-R52SYNC	QP-R60SYNC	QP-R65SYNC
Charging Numbers	10	20	30	40	52	60	65
Input Voltage	220V/50Hz	220V/50Hz	220V/50Hz	220V/50Hz	220V/50Hz	220V/50Hz	220V/50Hz
Outage Voltage	5V/2.4A	5V/2.4A	5V/2.4A	5V/2.4A	5V/2.4A	5V/2.4A	5V/2.4A
Pated Power	200W	300W	400W	600W	600W	800W	800W
Product Size	540*450*330mm	556*460*665mm	556*460*920mm	556*460*1195mm	556*460*1195mm	650*460*1450mm	650*460*1450mm
Package Size	610*530*410mm	630*470*740mm	630*470*990mm	630*470*1245mm	720*470*1245mm	720*470*1510mm	720*470*1510mm
Net Weight	15kg	31kg	44kg	52kg	60kg	73kg	74kg
Gross Weight	19kg	37kg	53kg	61kg	70kg	85kg	86kg

Smart Digital Control Panel



- **UV-C disinfection setting**

Please press the UV key and it will finish disinfection in 5 minutes. Opening the door. Disinfectant lights will be shut of.

- **Charging setting**

Please press power button, it will start to work.

- **Countdown charging**

Please press SET key , C means charging. The number means the charging time . Press the Set key to make it take effect.

Example C05 means, 5 hours off charging ;
 C08 means, 8 hours off charging ;

- **Child lock setting**

Long press the UP key for 4 seconds, you can hear the "beep" sound, and the child lock will take effect.

- **Local time setting**

Long press the setting key, when the number flashes, you can press the up/down key to adjust, after the setting, press the setting key to confirm.

- **Cooling fan**

When cabinet is over 45°C, it will auto turned on.

Safety and maintenance precautions

For long term storage , remember to unplug the power cord and cover the cabinet with a dust cover.

! Tips :

Before start using this product, please read the instructions carefully Please strictly follow the instructions for installation, application and maintenance. We will not be responsible for any damage caused by the wrong operation. Only authorized staff can use the cabinet, and only professional maintainer can maintain the cabinet.



- **Must ground lead**
The power socket must be grounded to avoid electric leakage. The cabinet must be located in a suitable storage place.



- **Avoid slope**
The wheels must be locked to prevent any movement. Before moving, release the lock on the wheel.



- **Avoid high temperature**
In order to prolong the life cycle, avoid rain and direct sunlight. Do not store the cabinet next to the window.



- **Avoid moisture**
When cleaning, do not pour water or alcohol directly on the cabinet, liquids will damage the internal circuit.

SYNC Operation guide

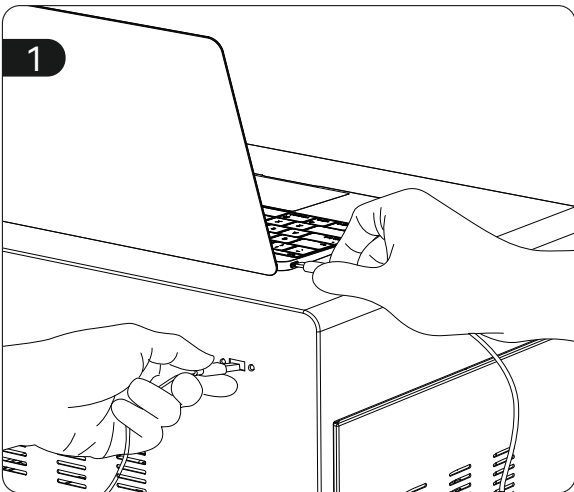
Advance preparation

- 1、Charging cart and a MacBook.
- 2、For MacBook, you need to download Apple Configurator 2 from the app Store.
- 3、Software Compatibility Mac OS 10.15.6 or newer.

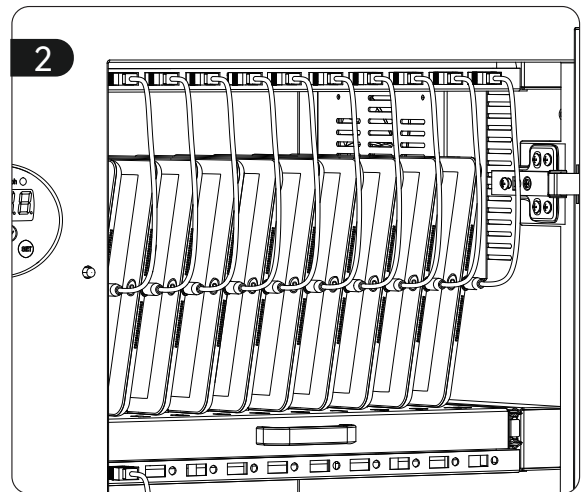


Apple Configurator 2

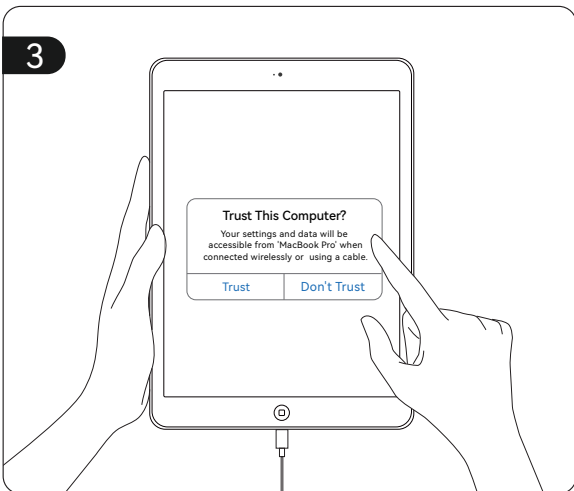
Using the Charging Cart



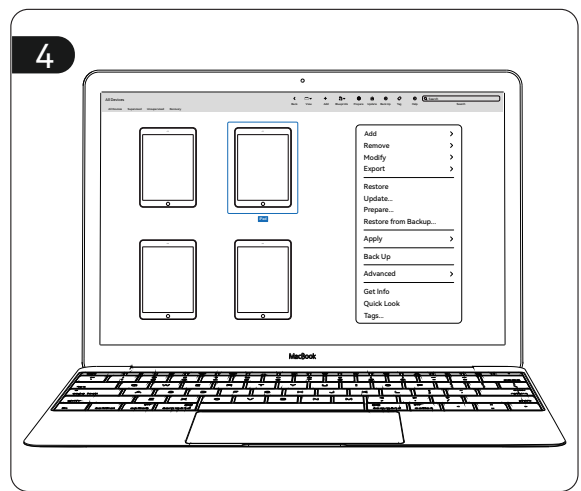
Connect the computer to the charging cabinet;



The device is connected to the charging cabinet;



After connecting to the charging cabinet, the device will pop up the device Trust prompt window, click "Trust";



Select the device you need to operate in the application, right click, add、remove、modify、export、restore、update and other operations.