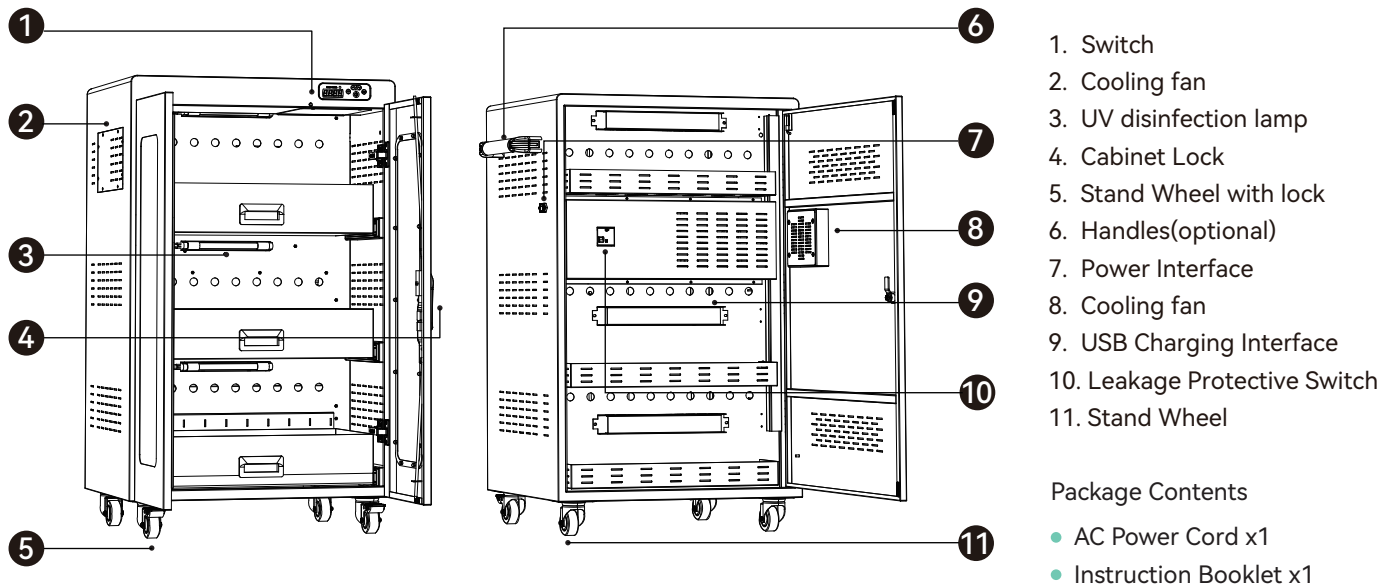


Overview

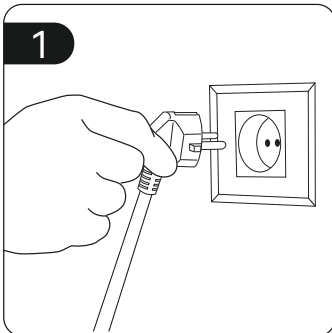


1. Switch
2. Cooling fan
3. UV disinfection lamp
4. Cabinet Lock
5. Stand Wheel with lock
6. Handles(optional)
7. Power Interface
8. Cooling fan
9. USB Charging Interface
10. Leakage Protective Switch
11. Stand Wheel

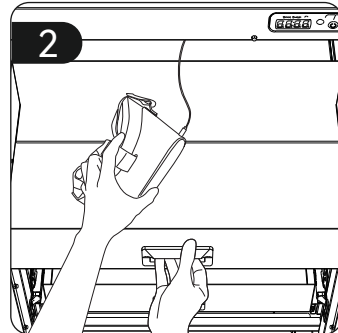
Package Contents

- AC Power Cord x1
- Instruction Booklet x1

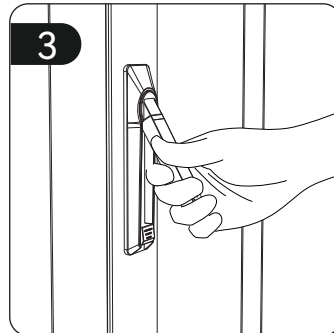
Using the Charging Cart



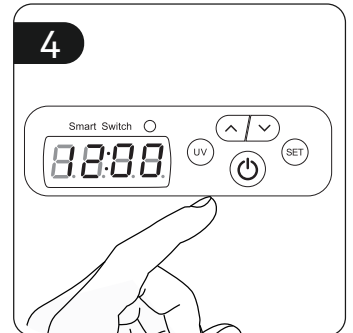
1 Plug the power cord into the charging cabinet.



2 Pull out the drawer and connect the VR glasses to the power supply;



3 Close the cabinet door

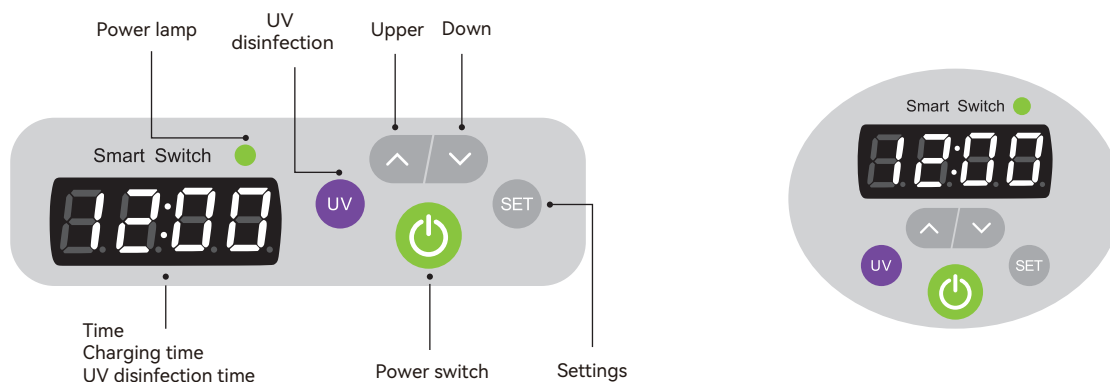


4 Green power switch and UV disinfection switch (Please refer to page 2)

Product Specs

Model	QP-R10VR	QP-R20VR	QP-R30VR	QP-R40VR
Charging Numbers	/	/	/	/
Input Voltage	110V~220V/47~63Hz	110V~220V/47~63Hz	110V~220V/47~63Hz	110V~220V/47~63Hz
Outage Voltage	5V/2A	5V/2A	5V/2A	5V/2A
Pated Power	200W	300W	400W	600W
Product Size	665*550*470mm	665*550*795mm	665*550*1115mm	665*550*1395mm
Package Size	470*640*530mm	740*640*850mm	740*640*1180mm	740*640*1470mm
Net Weight	35kg	49kg	69kg	84kg
Gross Weight	40kg	58kg	79kg	95kg

Smart Digital Control Panel



- **UV-C disinfection setting**

Please press the UV button and it will finish disinfection in 5 minutes. Opening the door. Disinfectant lights will be shut off.

- **Charging setting**

Please press power key, it will start to work.

- **Countdown charging**

Please press SET button, C means charging. The number means the charging time. Press the Set key to make it take effect.

Example C05 means, 5 hours off charging ;
 C08 means, 8 hours off charging ;

- **Child lock setting**

Long press the UP key for 4 seconds, you can hear the "beep" sound, and the child lock will take effect.

- **Local time setting**

Long press the setting key, when the number flashes, you can press the up/down key to adjust, after the setting, press the setting key to confirm.

- **Cooling fan**

When cabinet is over 45°C, it will be auto turned on.

Safety and maintenance precautions

For long term storage , remember to unplug the power cord and cover the cabinet with a dust cover.

Tips :

Before start using this product, please read the instructions carefully Please strictly follow the instructions for installation, application and maintenance. We will not be responsible for any damage caused by the wrong operation. Only authorized staff can use the cabinet, and only professional maintainer can maintain the cabinet.



- **Must ground lead**

The power socket must be grounded to avoid electric leakage. The cabinet must be located in a suitable storage place.



- **Avoid slope**

The wheels must be locked to prevent any movement. Before moving, release the lock on the wheel.



- **Avoid high temperature**

In order to prolong the life cycle, avoid rain and direct sunlight. Do not store the cabinet next to the window.



- **Avoid moisture**

When cleaning, do not pour water or alcohol directly on the cabinet, liquids will damage the internal circuit.