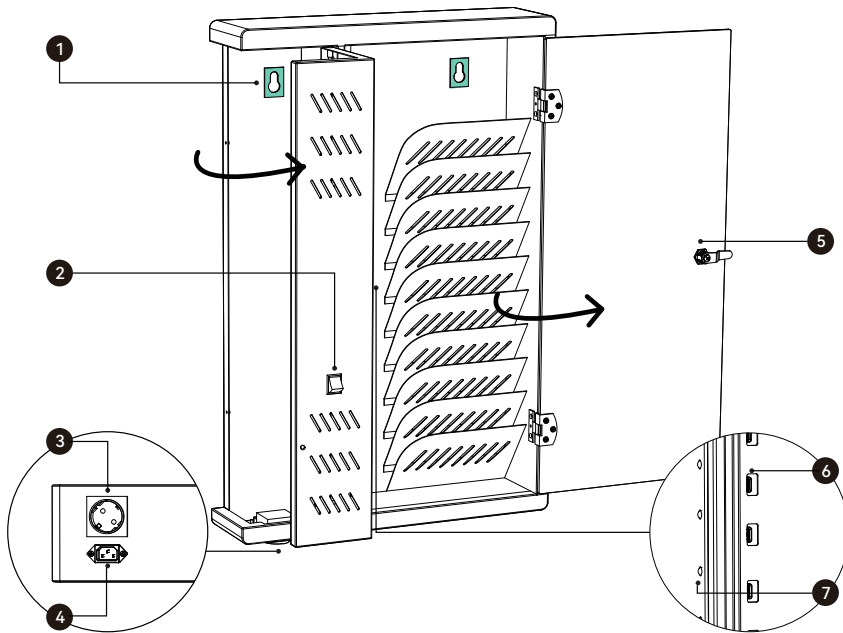


## Overvie



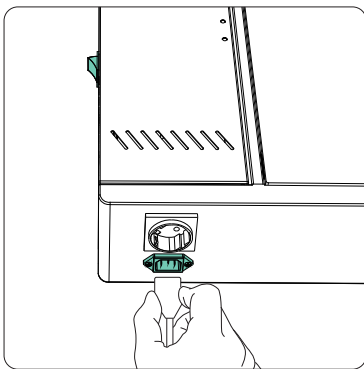
1. Set screw hole
2. Power switch
3. Extension interface
4. Power interface
5. Smart combination lock
6. Fast charge interface
7. Charging light

### Package Contents

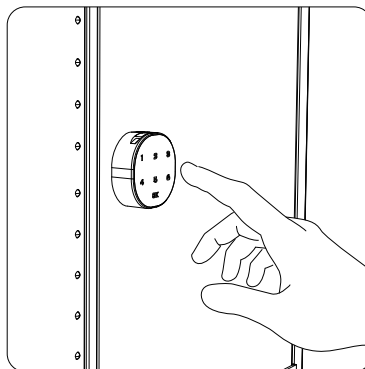
- AC Power Cord x1
- Charging cable x10
- Instruction Booklet x1

Unscrew the side door of the power supply management area, open the acrylic cabinet door, fix it on the wall with expansion screws, close the side door of the power supply area, screw it back, and then use it;

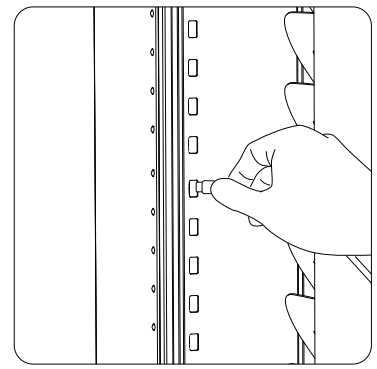
## Use and installation



Plug in the power cord and turn on the power switch;



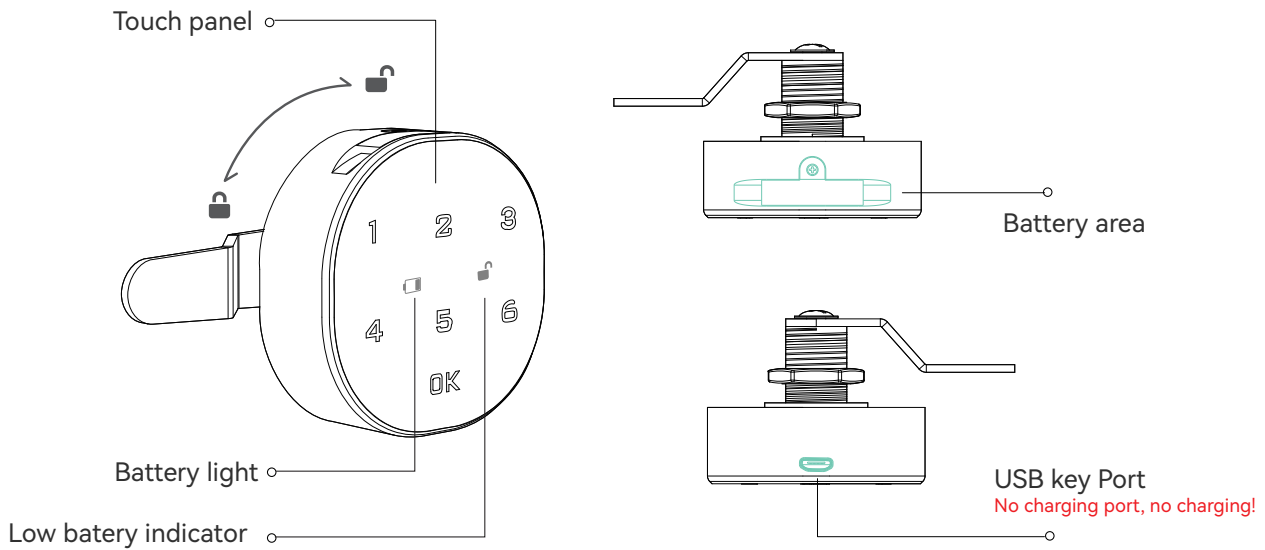
Click on the correct password and OK to rotate the lock to open the door;



Connect the device to the charging ports with cables to start charging.

**Charging indicator:** ● Charging ● Fast charging ● Charging completed / unloaded

# Code lock instructions




## Operation instruction

### 1.Unlock and lock

#### • Unlock

Enter the default user password "1234+OK", Or enter the default management password"4321+OK";

The buzzer emits: beep... a long sound,  and the light is always on, Rotate within 3seconds;

\* If the password is incorrect, the sound will beep three times: "Beep...Beep...Beep...";

\*  If the low battery indicator is always on means, the battery is out of power, and the button battery(CR2032)

\* needs to be replaced;


Note : After using the management password to unlock, the user password will automatically restore to the factory password: 1234.


#### • Locked

Rotate to lock.

### 2. User settings

#### • Change the default password (for example: change to 123123)

Enter the factory user password "1234+OK" or enter the factory management password "4321+OK",The buzzer emits a long beep and the light  stays on;

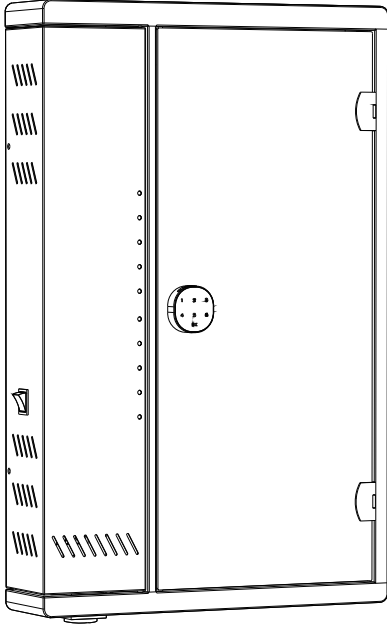
Press the OK button again for more than 2 seconds and the light  flashes;

Enter the new password "123123+OK", and there will be a long beep. The password has been changed successfully.

\* The password length can be set from 4 to 15. The management password and user password cannot be set to the same password.

# Cautions

## Major parameter



	Item	Parameter
1	Device capacity	10
2	Layout	1*10
3	Port	USB-A
4	Input	220V~ 50/60Hz
5	Output	5V $\overline{=}$ 2.4A
6	power	300W
7	slot size	310*27.5*207 mm
8	Product size	540*390*330 mm
9	shipping size	610*470*410 mm
10	N.W.	15kg
11	G.W.	19kg
12	Wheel size	/

## Safety and maintenance precautions

For long term storage , remember to unplug the power cord and cover the cabinet with a dust cover.

### Tips :

Before start using this product, please read the instructions carefully Please strictly follow the instructions for installation, application and maintenance. We will not be responsible for any damage caused by the wrong operation. Only authorized staff can use the cabinet, and only professional maintainer can maintain the cabinet.



- Must ground lead  
The power socket must be grounded to avoid electric leakage. The cabinet must be located in a suitable storage place.



- Avoid slope  
The wheels must be locked to prevent any movement. Before moving, release the lock on the wheel.



- Avoid high temperature  
In order to prolong the life cycle, avoid rain and direct sunlight. Do not store the cabinet next to the window.



- Avoid moisture  
When cleaning, do not pour water or alcohol directly on the cabinet, liquids will damage the internal circuit.